



Single Rod shown with X1 Process Fitting, including 3/4 in. 316 NPT

SIMPLICITY AT ITS BEST WITH CONSISTENT RESULTS

Pulse Point™ II Series models sense when a material reaches or leaves a particular point. These point level switches use electronic vibratory technology to sense the material. This mechanical operation is not affected by the dielectric constant of the material being measured.

The vibrating rod is designed so that the sensing mechanism is located in the tip of the rod. This design allows for the 3/4" NPT process fitting connection - one of the smallest in the industry. This device is also able to be used in hazardous locations, widening its range of applications. The rod is often used for materials larger in size like gravel or pellets.

FEATURES AND BENEFITS

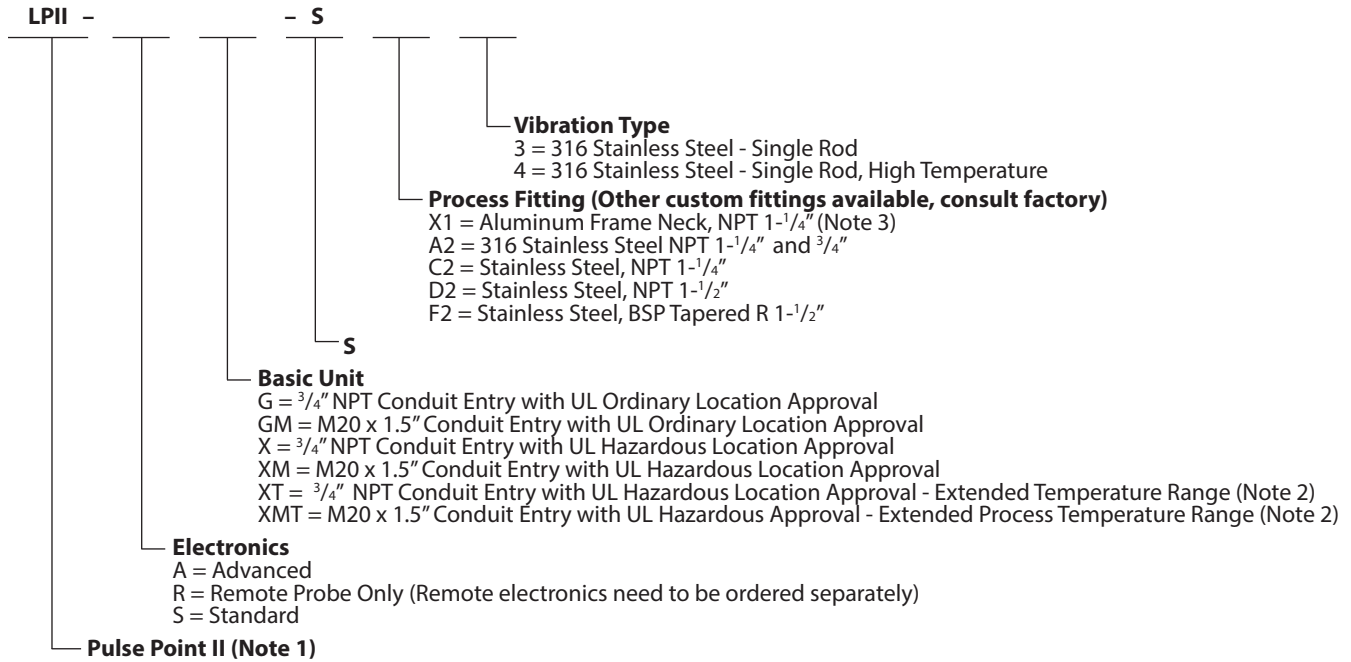
- Universal Input Power provides flexibility.
- Adjustable Time Delay allows the user to determine time between sensing material and the alarm state. Advanced units can permit delays when it detects the presence and absence of material or a combination.
- Sensitivity Settings can be selected to fit specific applications and material requirements down to 1.5 lbs/ft³ (24 kg/m³).
- Move electronics up to 50 ft (15 m) away with the Remote Option.
- Standard and Advanced offering enables the user to choose the option that best suits the application.
- Design allows for resistance to side wall build-up.
- Frame designed to enable connection flexibility: Imperial or Metric conduit entry options. Process Fitting can be made to fit any connection.

STANDARD VS. ADVANCED UNITS

| STANDARD | ADVANCED |
|----------------------------|------------------------------|
| 2 Sensitivity Settings | 3 Sensitivity Settings |
| Time Delay up to 6 seconds | Time Delay up to 150 seconds |
| Universal Power | Universal Power |
| | Test FOB |
| Push Button Test | Push Button Test |
| | Indicator Lights |

Pulse Point™ II ROD

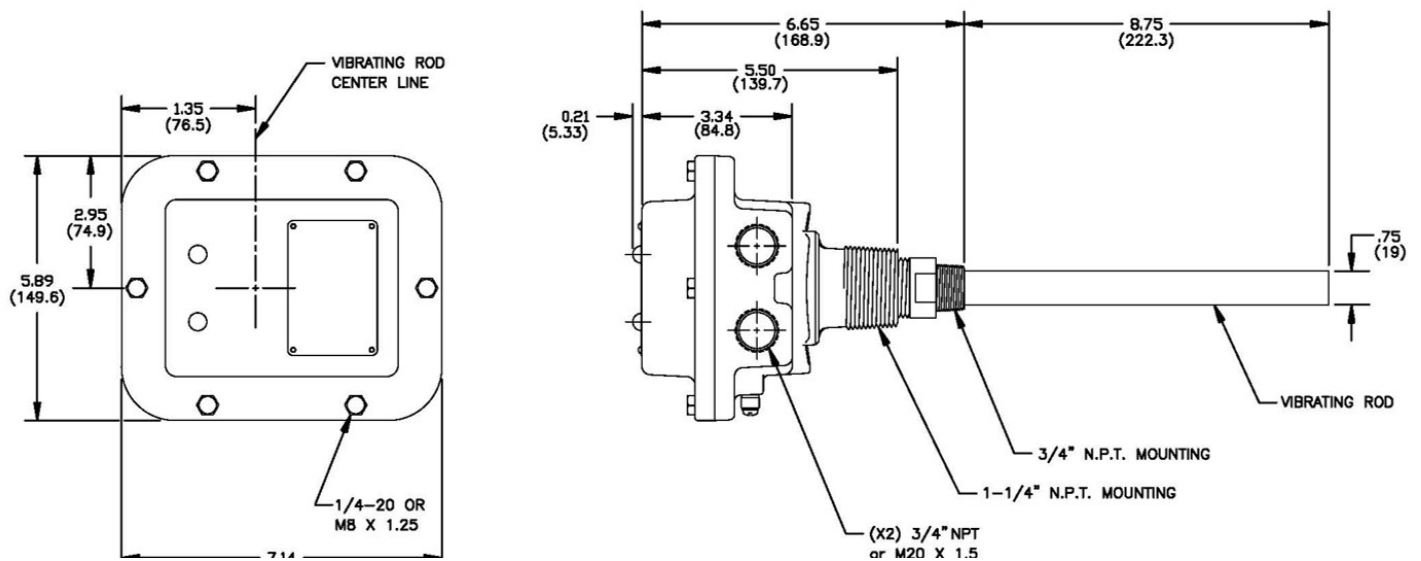
PULSE POINT II - STANDARD



- NOTES: 1. Units have Powder Coated Aluminum Housing Finish.
 2. Extended ambient temperature range is -40° to 158°F (-40° to 70°C).
 3. For Vibration Types 3 and 4, X1 Process Fittings will include a 3/4" NPT 316 stainless steel bin connector.

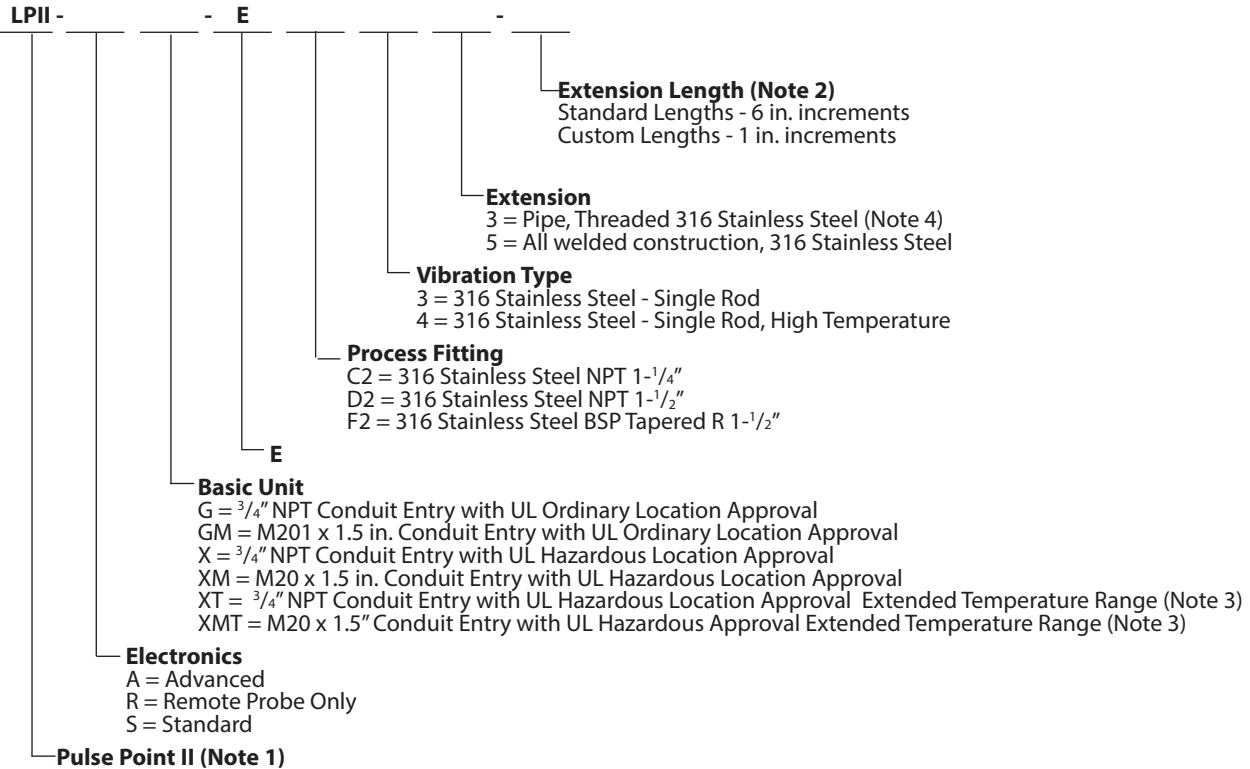
STANDARD ROD DIMENSIONS

ADVANCED MODEL SHOWN



* Additional drawings available at www.bindicator.com

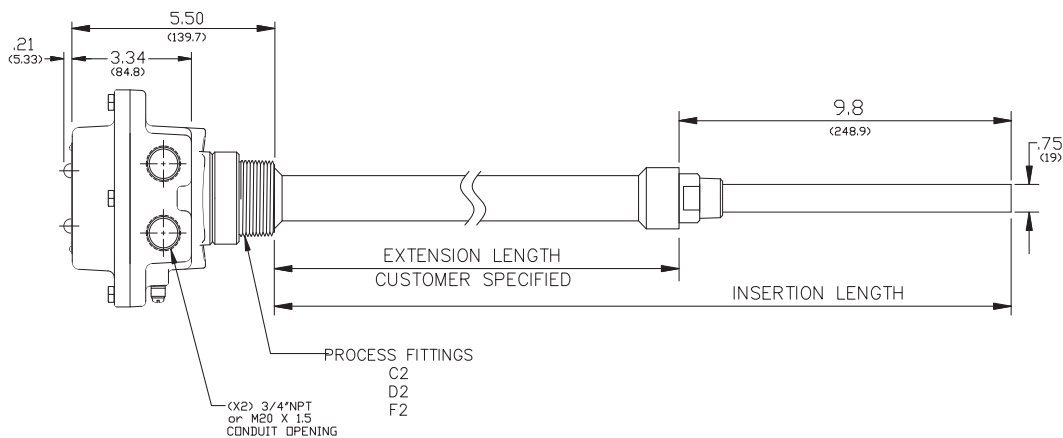
PULSE POINT II - EXTENSIONS



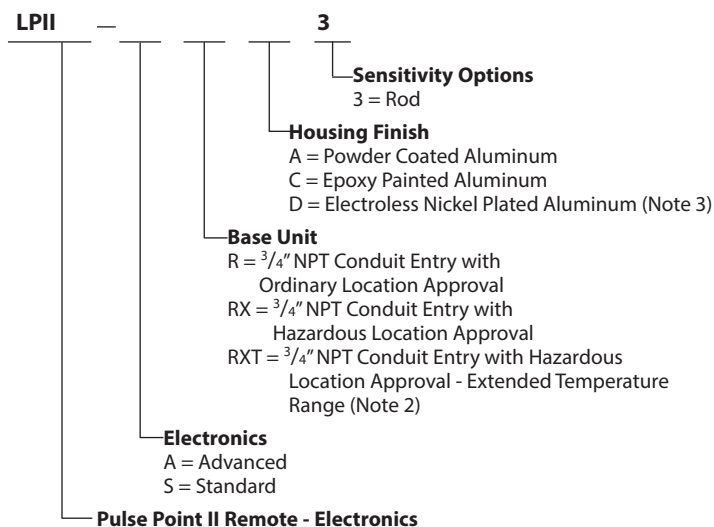
- NOTES: 1. Units have Powder Coated Aluminum Housing Finish.
 2. Maximum extension length is 180 in. (4.6 m), minimum length 3 in. (7.6 cm)
 3. Extended ambient temperature range is -40° to 158°F (-40° to 70°C)
 4. Type 3 Extension not available for Hazardous Location units.

EXTENSION DIMENSIONS

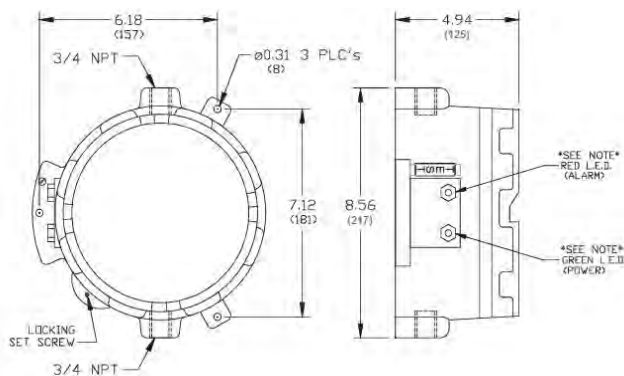
ADVANCED MODEL SHOWN



REMOTE ELECTRONICS



REMOTE DIMENSIONS



- NOTES:
1. Maximum cable length is 50 ft (15 m).
 2. Extended ambient temperature range is -40° to 158°F (-40° to 70°C).
 3. Hazardous location approval not available with electroless nickel plated aluminum Housing Finish.

SPECIFICATIONS

FUNCTIONAL

| | |
|--|---|
| Power Requirements Universal | (± 10%), 120-240 VAC 50/60 Hz or 24-48 VDC |
| Power Consumption | 4 W AC; 4 W DC |
| Fuse | Slow Blow, 0.5 A 300 V (Not User Serviceable) |
| Operating Temperature | |
| Electronics: Ordinary Location | -40° to 158°F (-40° to 70°C) |
| Electronics: Hazardous Location | -4° to 158°F (-20° to 70°C) |
| Electronics: Hazardous Location - Extended | -40° to 158°F (-40° to 70°C) |
| Rod (Process): Standard Temperature | -22° to 203°F (-30° to 95°C) |
| Rod (Process): High Temperature | -22° to 320°F (-30° to 160°C) |
| Outputs | |
| Main Relay | 8 A DPDT @ 240 VAC or 30 VDC (resistive) |
| Auxiliary Relay - ADVANCED Only | 0.46 A SPDT @ 150 VAC or 1 A @ 30 VDC |

PERFORMANCE

| | |
|------------------------|--|
| Pressure Rating | 400 psi (28.1 kg/cm ²) with process fitting; 5 psi (0.35 kg/cm ²) with mounting plate |
| Time Delay - STANDARD | Field Adjustable; Up to 6 seconds |
| Time Delay - ADVANCED | Field Adjustable; Up to 150 seconds |
| Fail Safe | Field Selectable; high/low level |
| Sensitivity - STANDARD | Minimum 3.5 lbs/ft ³ (56 kg/m ³); Field Adjustable |
| Sensitivity - ADVANCED | Minimum 1.5 lbs/ft ³ (24 kg/m ³); Field Adjustable |
| Remote Distance | 50 ft. (15m) Max |

PHYSICAL

| | |
|-------------------------|--|
| Enclosure Material | Powder or Epoxy Coated Aluminum, or 304 SS |
| Process Fitting | NPT 3/4", 1-1/4", 1-1/2" BSP R 1-1/4", 1-1/2" BSP G 1-1/4", 1-1/2" |
| Rod Material | 316 Stainless Steel |
| Dual Conduit Entry | 3/4" NPT or M20 x 1.5 |
| Mounting Plate Material | Mild Steel, 304 Stainless Steel |
| Extended Pipe Material | 316 Stainless Steel |
| Shipping Weight | Integral, non-extended 9 lb (4 kg) |

AGENCY APPROVALS

UL (US and Canada)

- Ordinary Location, Type 4X; IP66
 - Hazardous Location, Type 4X
- Explosion Proof, Class I, Div 1, Groups C, D
Dust Ignition Proof, Class II, Div 1, Groups E, F, G

CE

- Electromagnetic Compatibility Directive
- Low Voltage Directive



Order from: **C A Briggs Company**
622 Mary Street; Suite 101; Warminster, PA 18974
Phone: 267-673-8117 - Fax: 267-673-8118
Sales@cabriggs.com - www.cabriggs.com



LVP181014 Rev. B
2016 All rights reserved.
All data subject to change without notice.